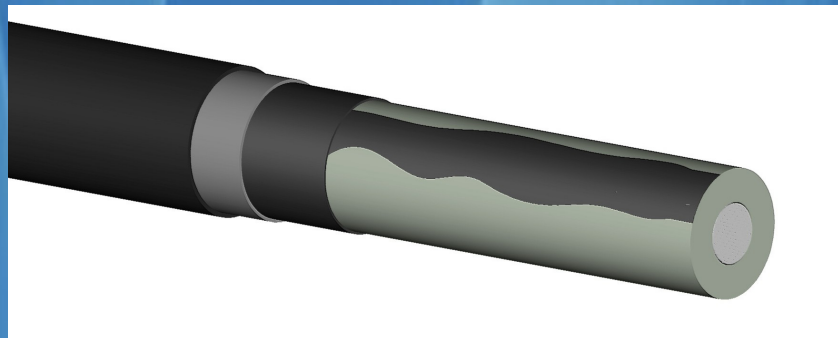
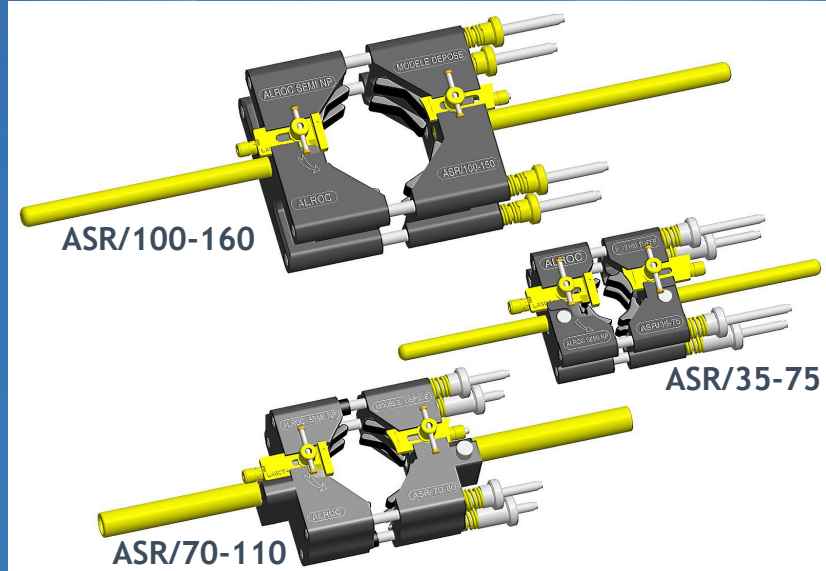




# HV - Bonded semi-conductor ASR/35-75 . 70-110 . 100-160

A  
S  
R



FUNCTIONS	CHARACTERISTICS
<p>ASR tools remove semi-conductive insulation shield from cables without damaging the cable insulation.</p> <p>☞ Also, reshapes the insulation to a cylindrical condition.</p>	<p>☞ Bonded semi-conductive shield removal.</p> <p>☞ Reshapes cable to a cylindrical form.</p>

Semi-conductor Ø	Ref :	Weight
35 mm to 75 mm 1.38" to 2.95"	ASR/35-75	3 kg 6.60 lbs
70 mm to 110 mm 2.75" to 4.33"	ASR/70-110	4,6 kg 10.12 lbs
100 mm to 160 mm 3.94" to 6.3"	ASR/100-160	9,8 kg 21.56 lbs

## H.V. TEST (PTY) LTD

3 Gaiety Ave, Robindale, Randburg, South Africa, 2010  
P.O. Box 651287, Benmore, 2010

Tel: +27(11) 782 1010 Fax: +27(11) 782 2770

Email: sales@hvtest.co.za

Website: www.hvtest.co.za